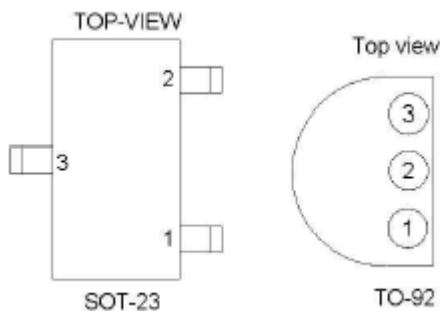


Description

The C5166 is an efficient linear voltage regulator. It has extra low dropout Voltage. At light loads the typical dropout voltage is 10mv, and at full load the Typical dropout voltage is 300mv. The output voltage accuracy is better than 2%

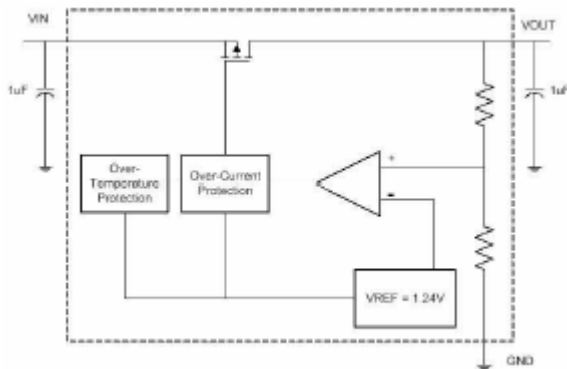
The C5166 has low ground current, so it can help prolong battery life. The c5166 Is specifically designed for hand-held, battery-powered devices.

Pin Configuration



C5166A TO-92 PIN GND IN OUT

Application Diagram



Features

- Typical 0.1V dropout voltage at 100Ma
- Meets intel slot 1 and slot 2 requirements
- Guaranteed 500mA output over the full operating temperature range
- Low 300mv typical dropout voltage at full load
- Extremely tight load and line regulation
- Low temperature coefficient
- Current and thermal limiting
- NO-load stability
- Standard SOT-23-3and TO-92 packages

Supply input voltage -0.7v to $+8\text{v}$

Applications

CD/DVD-ROM, CD/RW

Wireless LAN card, Keyboard, mouse

Battery powered Equipment

PCMCIA Card

Ordering information

